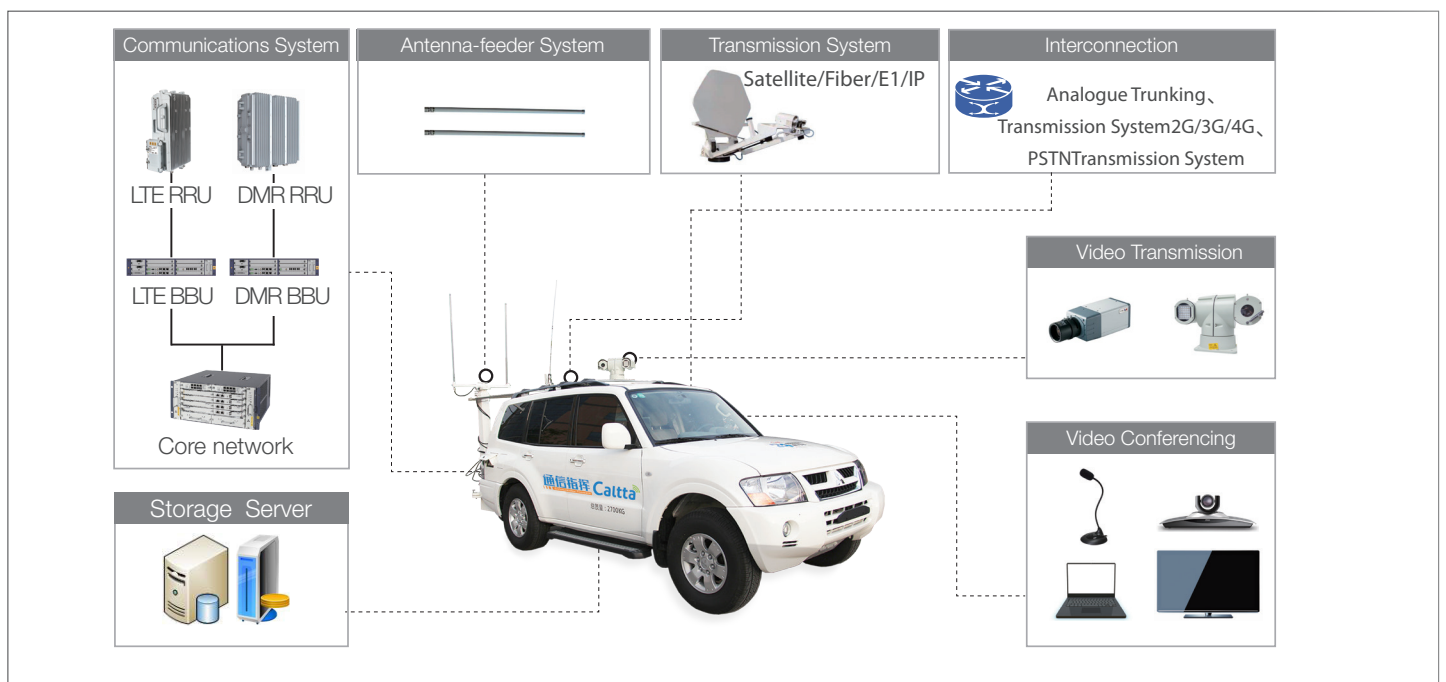




# Emergency Command Vehicle

## Product Overview

Caltta Emergency Command Vehicle (ECV), integrated with the ZiLTE multimedia broadband trunking system (LTE-based), can provide various services such as voice/video trunking, high-definition (HD) video, data collection, video conferencing, location and encryption. It can also interconnect with fixed commanding center via satellite, optical fiber, IP, 3G/4G PSTN and NLOS Bridge.



## Product Highlights

### Professional trunking

- Professional trunking functions with unified commanding and dispatching ability, supporting multi-party response and quick access (within 300ms).
- Data rate up to 100 Mbps due to the use of LTE technologies, supporting high-definition video transmission.
- High security and confidentiality, professional encryption for voice, data and video.

### Diversity

- Abundant services: voice/video trunking, video transmission, video conferencing, data acquisition etc, configurable according to actual applications.
- Various transmitting mode: satellite, optical fiber, E1, IP, 3G/4G PSTN and NLOS Bridge etc, ensuring smooth transmission.
- Diversified application scenarios: Single or multiple ECV can work independently for local network coverage or access to the existing network as an extension.

### Wide coverage

- Small-sized vehicle: coverage radius >2km (HD video signal).
- Medium- and large-sized vehicle: coverage radius > 8km(HD video signal).

### Fast deployment

- The mast, antenna feeder and support legs can be deployed automatically within 30 minutes.
- The VSAT system can capture the satellite rapidly to ensure emergency communication.

### Deep customization

- Bulletproof modification available on the entire vehicle to provide all-round protection .
- Optional configuration with daily necessities to improve work efficiency.

## Product Introduction

### Vehicle

Vehicle provides a secure and stable working environment for personnel and equipment, featuring high integrity and mobility, including Vehicle body, Mast system, Power system, Air-conditioning system, Monitoring system and Lightning Protection & Grounding system, Centralized control system etc.

Large-, medium and small-sized vehicles of multiple brands, such as IVECO, Benz, ISUZU and Toyota, customized to meet customer demands.



### Transmission System

The satellite communication system provides reliable communication links between the vehicle and the fixed commanding centers, ensuring stable operation of communications, command and dispatch. It includes satellite ground station, vehicle-mounted satellite and backpack satellite etc.

Aside from VSAT system, the ECV supports other ways of transmission, such as optical fiber, E1, IP, and NLOS Bridge.



## Video Transmission System

The video transmission system can transmit live video signal to the dispatching center via transmission links. It consists of inside and outside cameras, pitching telescope mast, vehicle mounted keyboard and DVR.

## Communications System

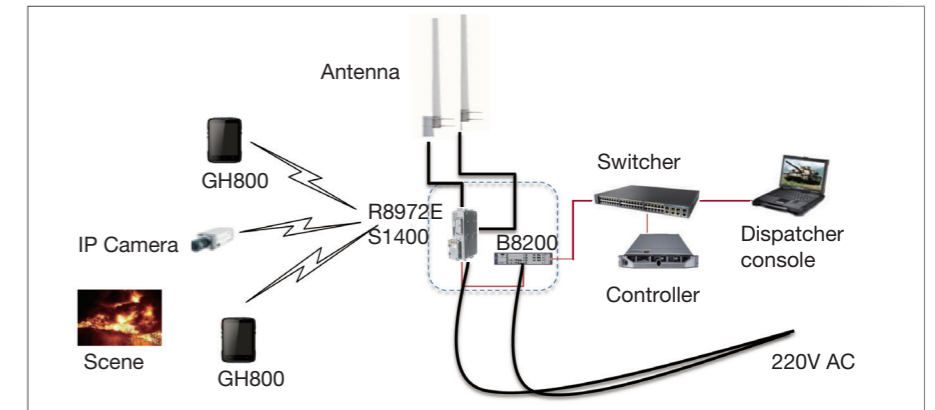
### ZiLTE Trunking Dispatch System

ZiLTE Trunking System is developed by Calta based on the 4th generation LTE technology, complying with B-TrunC standard. In addition to professional trunking services, the system provides rich applications such as multimedia trunking, video transmission and data transmission.

ZiLTE trunking dispatch system consists of wireless base stations, unified trunking CN and terminals.

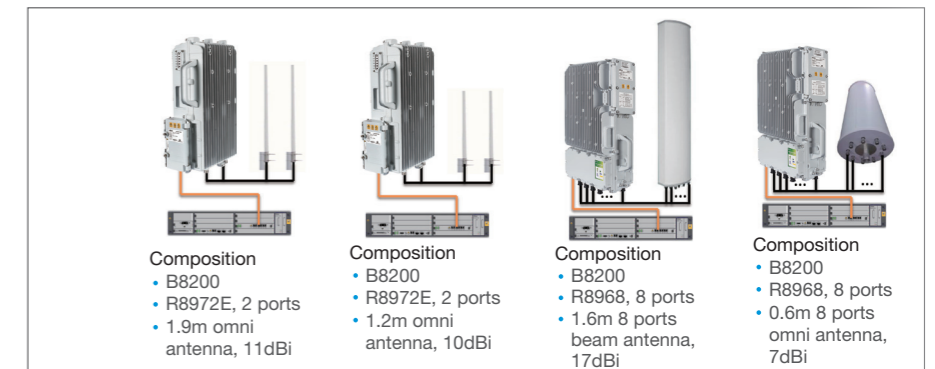
## Video Conferencing System

Video conferencing system can implement real-time video conference with the commanding center via transmission links like satellite. It consists of HD video conferencing terminal and matrix microphone. The HD video conference terminal, integrated with PTZ camera, access to the ECV transmission system directly. And the microphone is connected to the terminal to provide video conferencing service. The whole system is simple in both connection and operation.



### Wireless Base Stations

A wireless base station consists of baseband processing units (BBUs) and remote radio units (RRUs) and antenna feeder, configurable to meet the requirements on capacity and coverage.



### Unified Trunking CN Products

#### ZXTS eTC 200



As a control node of voice, data, and trunking services, the CN device ZXTS eTC 200 provides moderate system capacity and throughput and can address the communication needs of education and health systems or small and medium enterprises. It is compact in size and applicable when there is a need for deployment inside a car.

#### Anti- vibration

ZXTS eTC 200 is only 84.5 mm high, compact in size, reinforced and applicable in vehicle-mounted environment.

### Abundant functions

In addition to voice, data, and trunking services, ZXTS eTC 200 provides rich multimedia services such as video call, video conference, video surveillance, positioning, SMS, MMS, and point-to-multipoint broadcast data service.

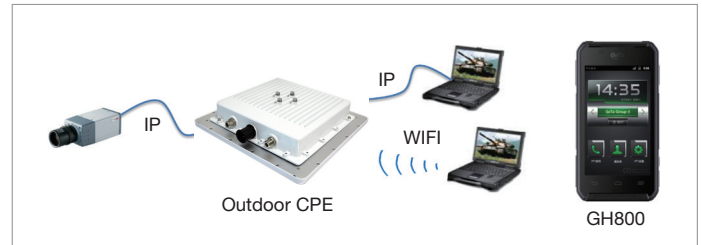
### ZiLTE Terminal

CPE is a new wireless access terminal, flexible in installment. It can transform LTE radio signal into WIFI signal, which is also accessible through wired LAN interface. The device supports local and remote management, both are through WEB Gateway.

GH800 supports LTE voice/video trunking, video dispatching and encryption (optional). It supports LTE and WCDMA/GSM dual mode dual standby. With its IP67 protection, the device can be used properly after 30-mins immersion in one meter depth water.

### Superior performance

Low latency with trunking call establish time less than 250ms, Maximum user number: 5000; Maximum group number: 1000; Maximum BS number: 30; Maximum active trunking call number: 512; Maximum LTE user number: 5000; Throughput: 2Gbps.



### “2+4” Digital Trunking System

2+4 Digital Trunking System integrates 2G voice Trunking system on the basis of LTE-based ZiLTE multimedia trunking system. It inherits the wide coverage of 2G technology and high bandwidth of 4G technology to realize video dispatching in key areas and voice trunking in wide scope.

### Portable Emergency Command System

The Portable Emergency Command System of Caltta is highly integrated, small and light, which can be easily taken to the scene by soldier or helicopter to provide multimedia command and dispatching services, particularly in the cases of earthquake or fire. The system can interconnect with fixed commanding center via 3G/4G PSTN or satellite. It can also be equipped with “2+4” Digital Trunking System.

### Portable Case

- The portable case is used to install equipment and power supply, which is easy to carry with handle and wheels.
- Size: 62cmX60cmX27cm, easy to transport in most car trunk.
- Weight: 30kg (communications equipment included)

### Portable Mast

- The portable mast can fix antennas on a certain height to provide wide coverage.
- Main part of the mast is made of high-strength alloy steel, light and anti-corruption, suitable for use in harsh outdoor environment.
- Each part of the mast can be dismantled and put into a backpack, easy to carry.
- Height:3m-5m (adjustable); Package Size: 30cmX30cmX120cm; Weight: less than 30kg.

### Portable Generator

- The portable generator provides power supply for the system in the cases of electricity shortage.
- Multiple brands and capacity are optional for the specific needs.
- Small and light (13kg for 900w), easy to carry.

